

209008-05CF

A **x36**

B **8x30 mm.** **x16**

C **∅15 mm.** **x8**

D **x8**

E **7x60 mm.** **x8**

L4530 **4.5x30 mm.** **x6**

P **x6**

R **x12**

T20 **∅20 mm.** **x8**

F21 **∅ 60 mm h 20 mm** **x6**

209008-05CC

H4E **x2**

C8 **x2**

L15 **4x15 mm.** **x4**

209008-08CC

H2E **x4**

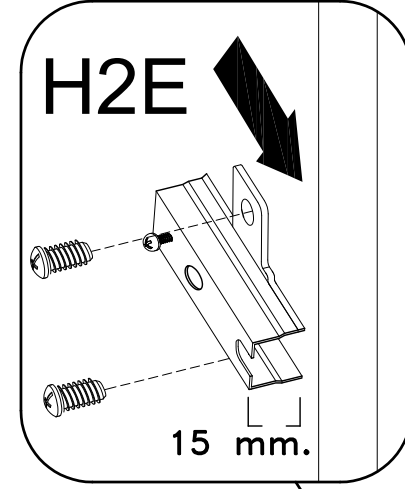
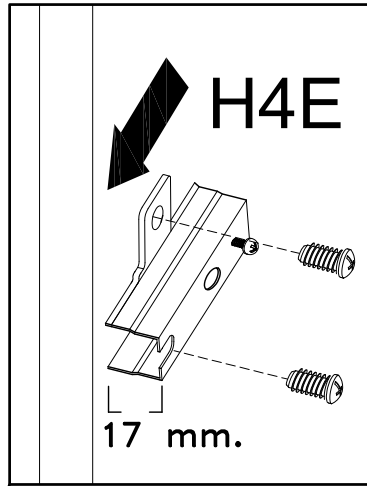
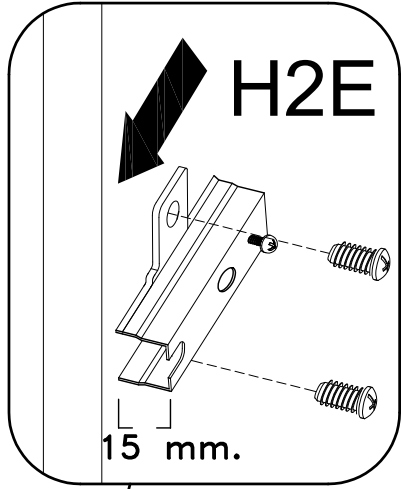
C0 **x4**

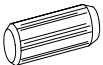
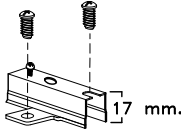
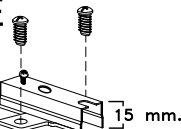
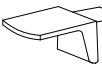
L15 **4x15 mm.** **x8**

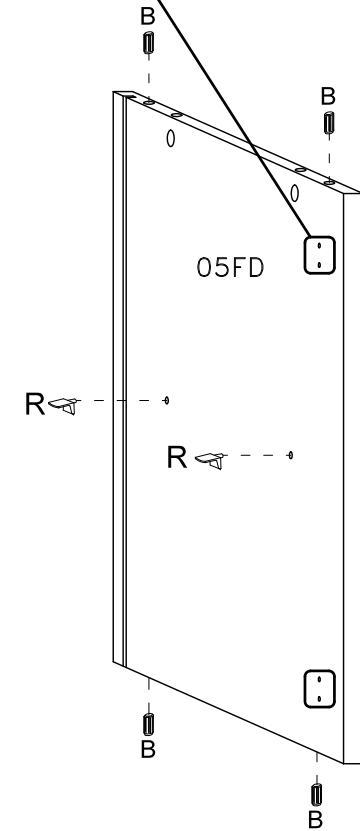
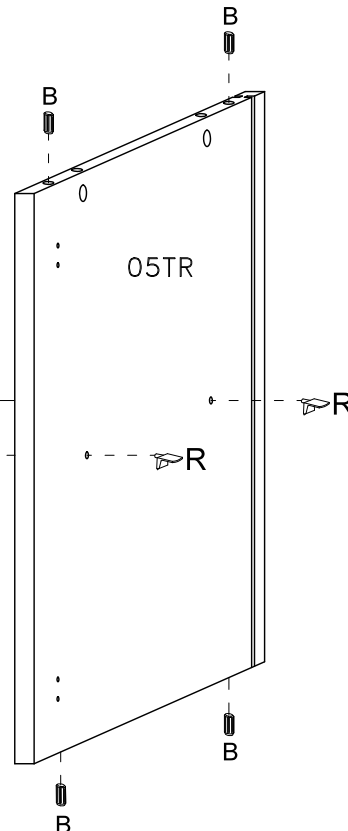
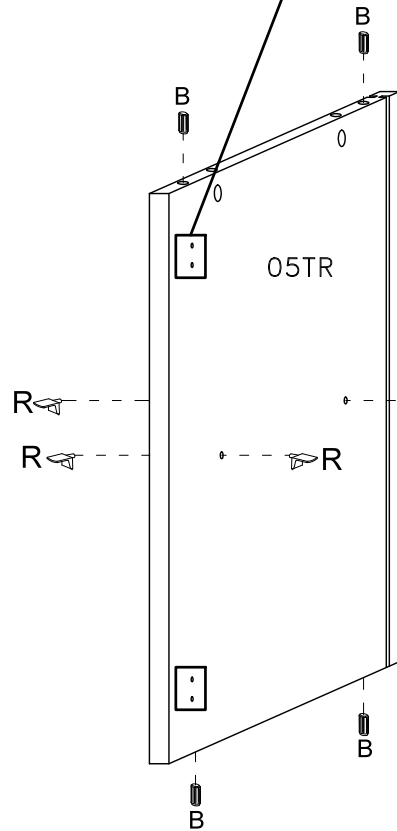
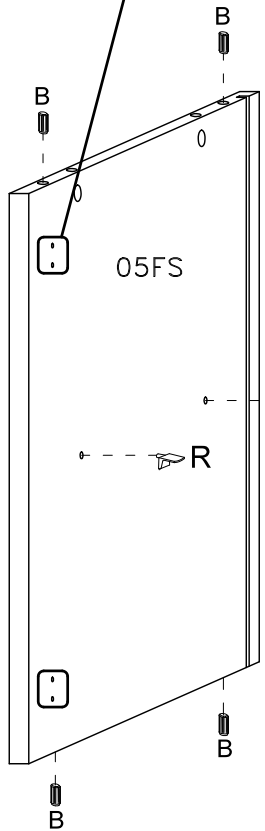
T **203565-04CF** **x1**

L3 **4x18 mm.** **x1**

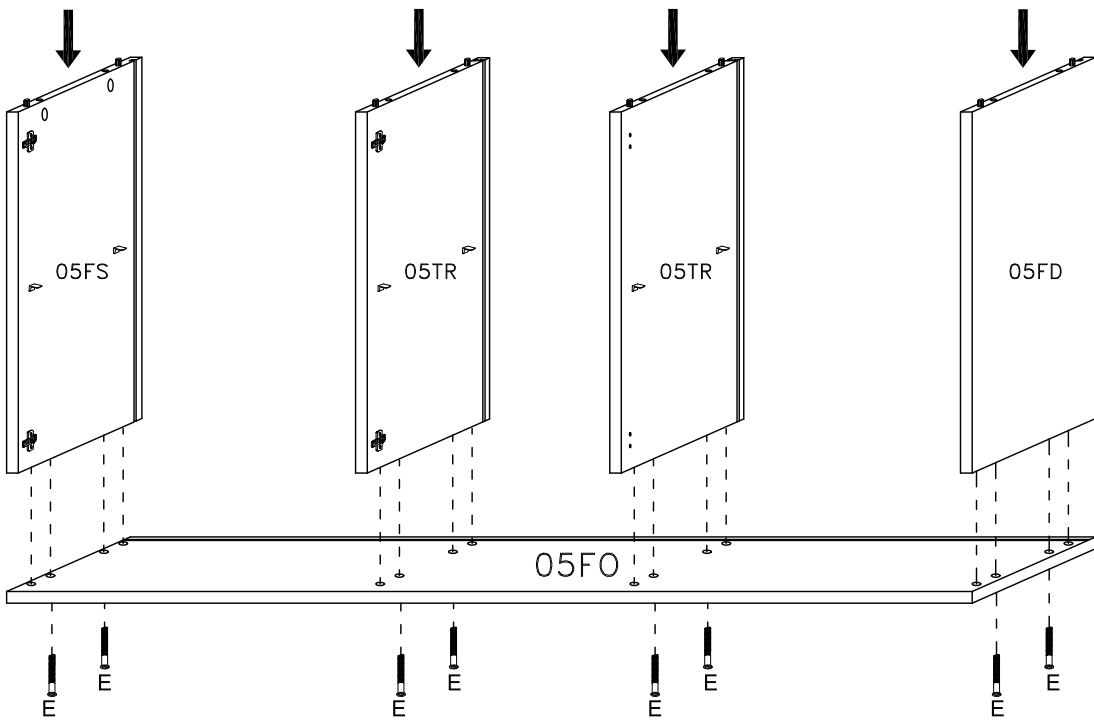
1






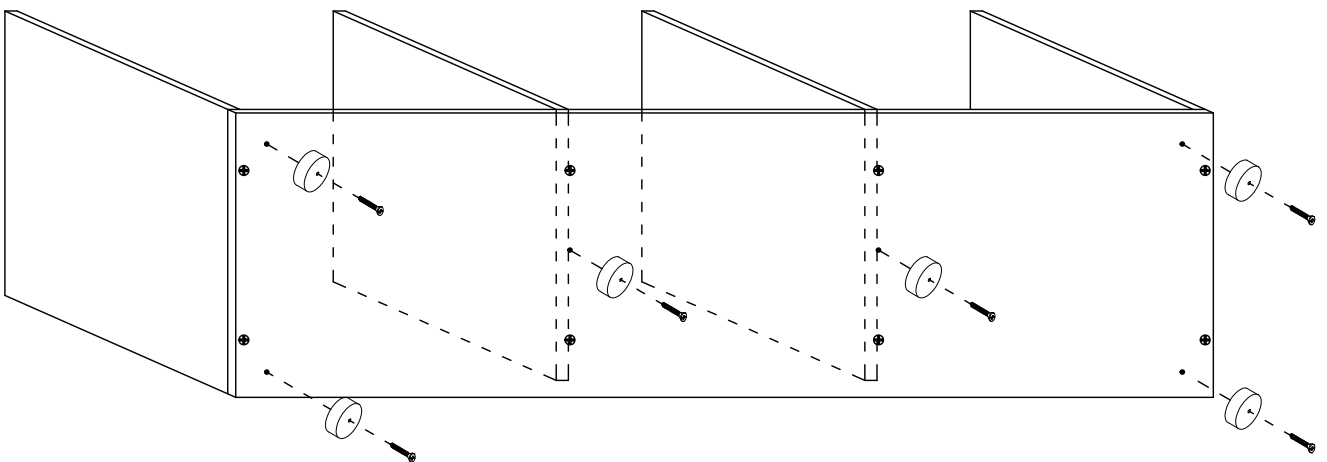
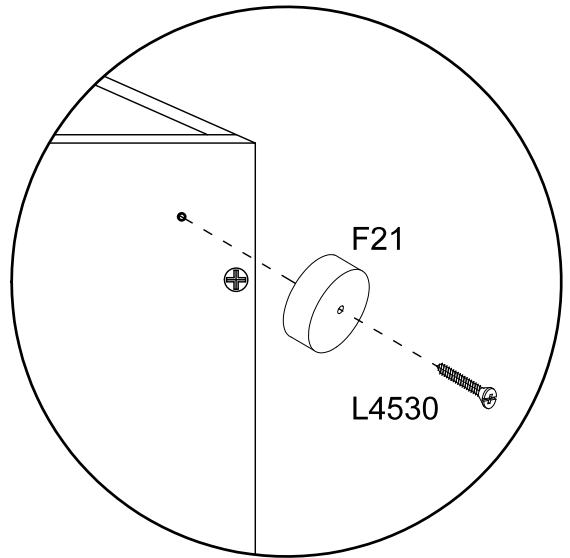
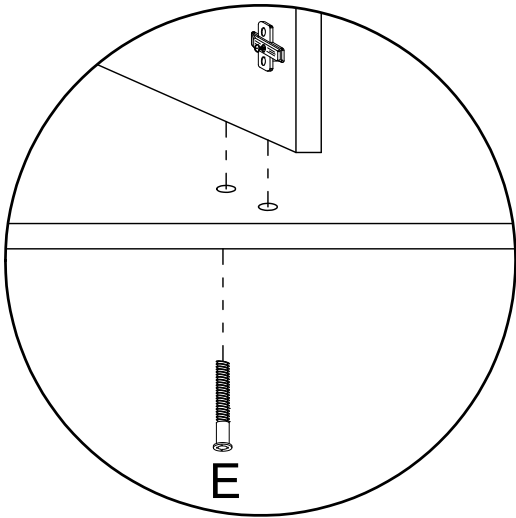
- B  8x30 mm. x16
- H4E  17 mm. x2
- H2E  15 mm. x4
- R  x12



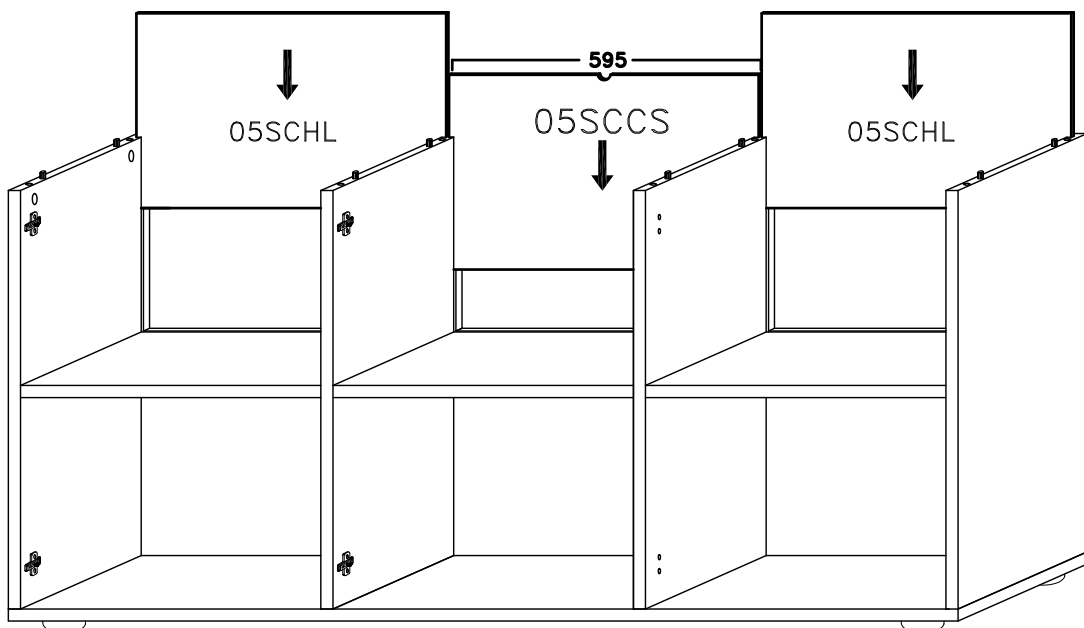
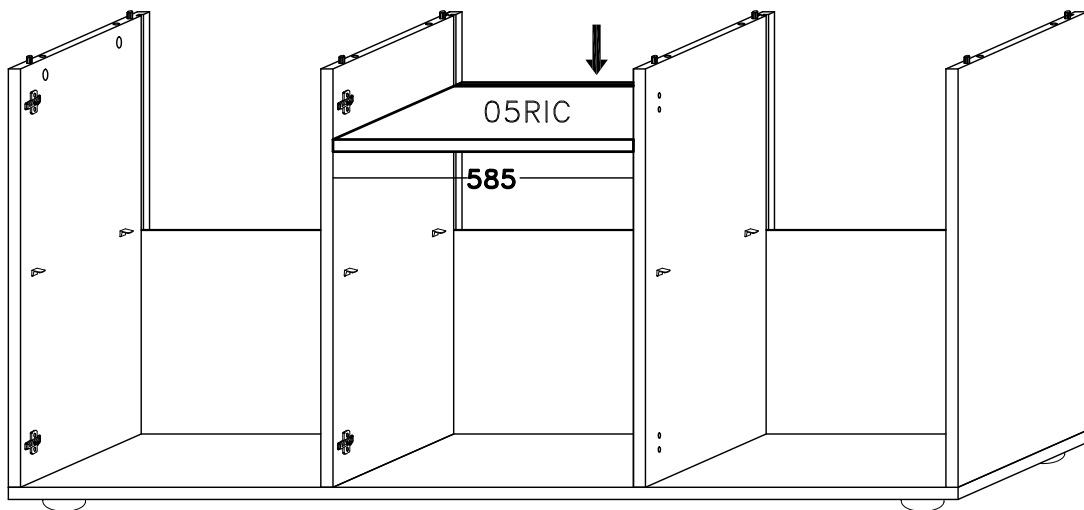
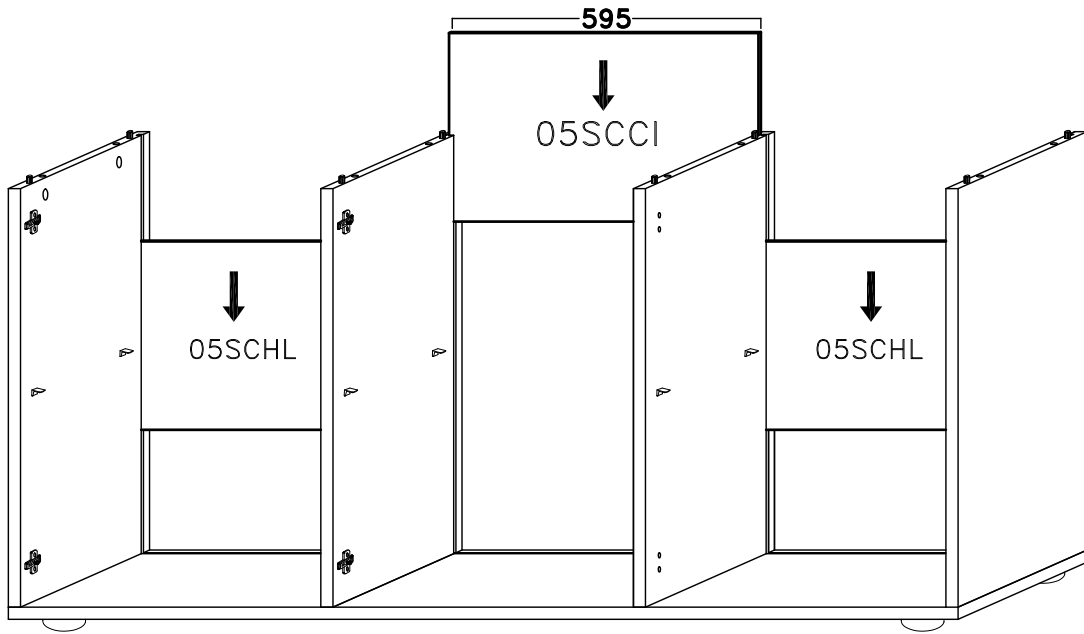
2



- E  7x60 mm. x8
- L4530  4.5x30 mm. x6
- F21  Ø 60 mm h 20 mm x6

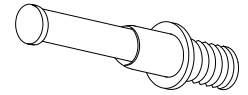


3

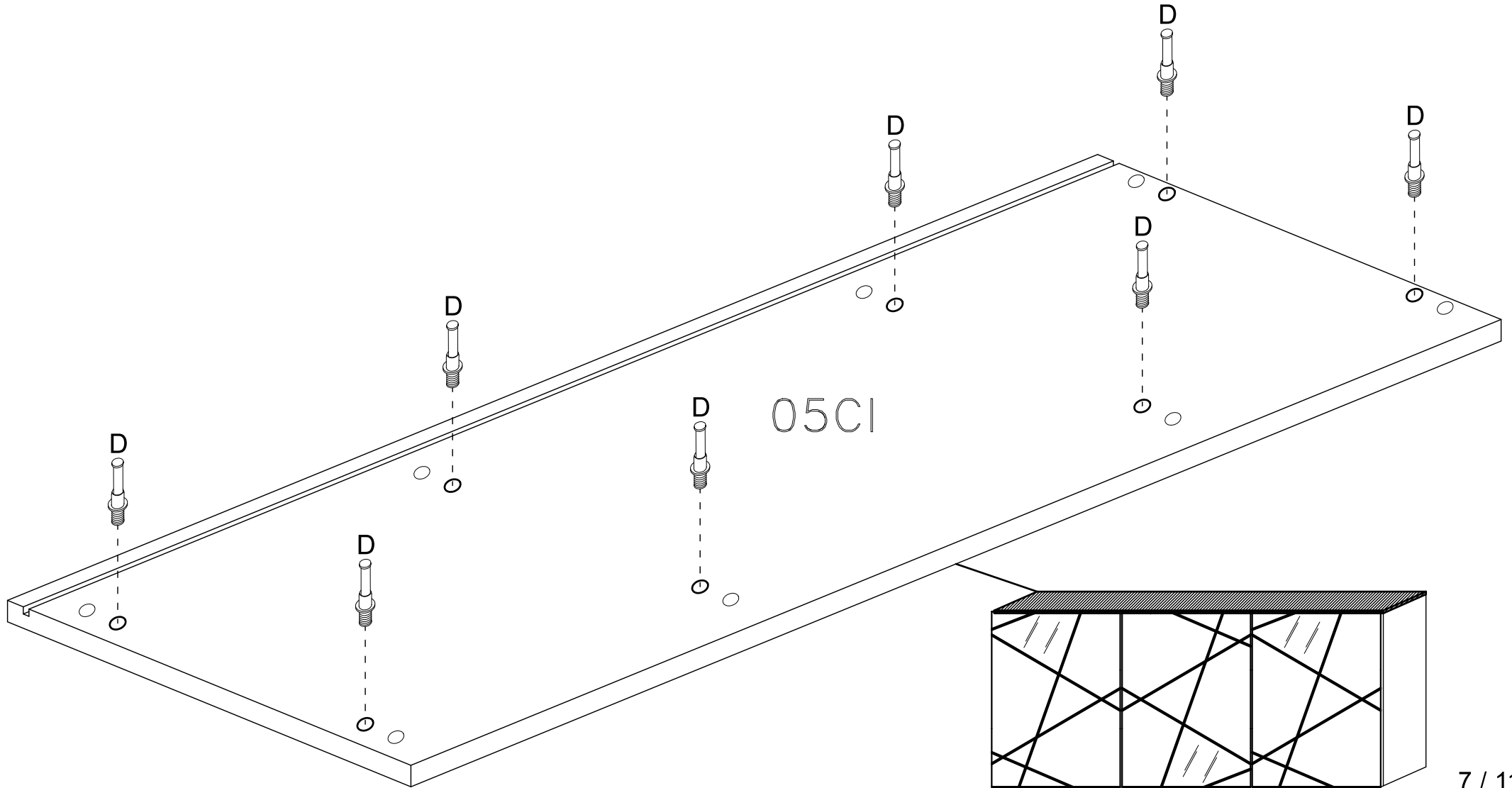


4

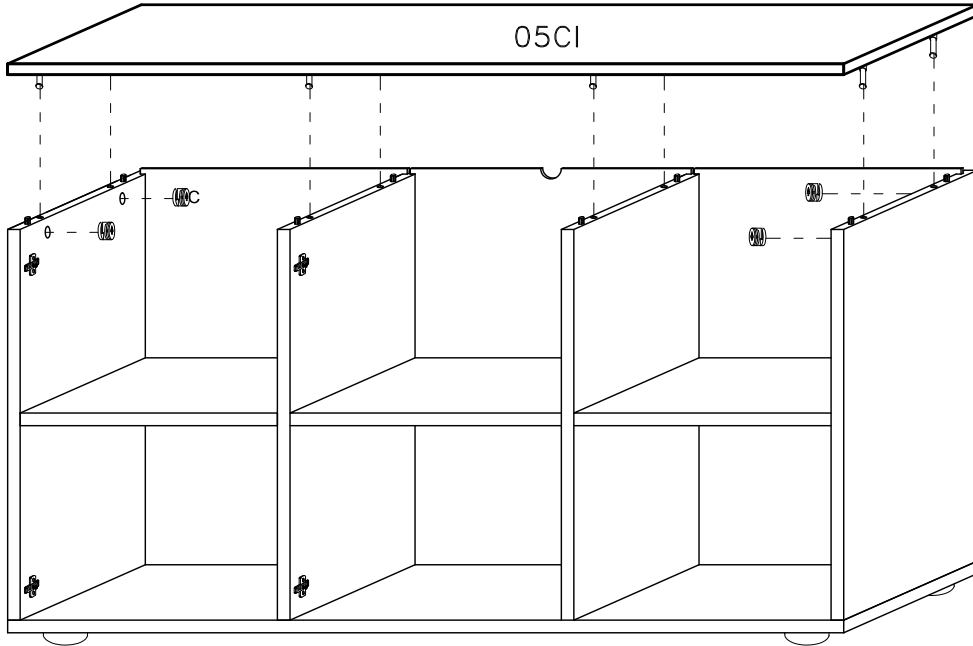
D



x8



5

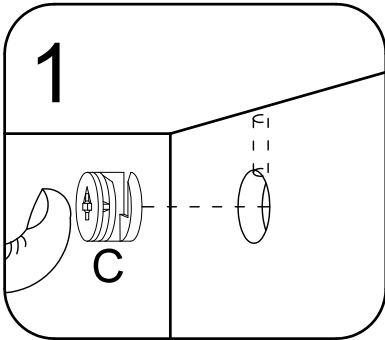


C

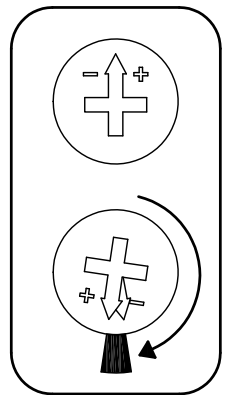
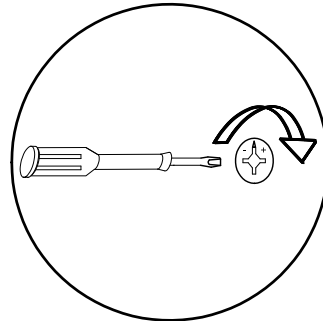


∅15 mm.

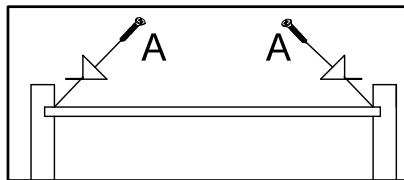
x8



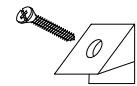
2



6

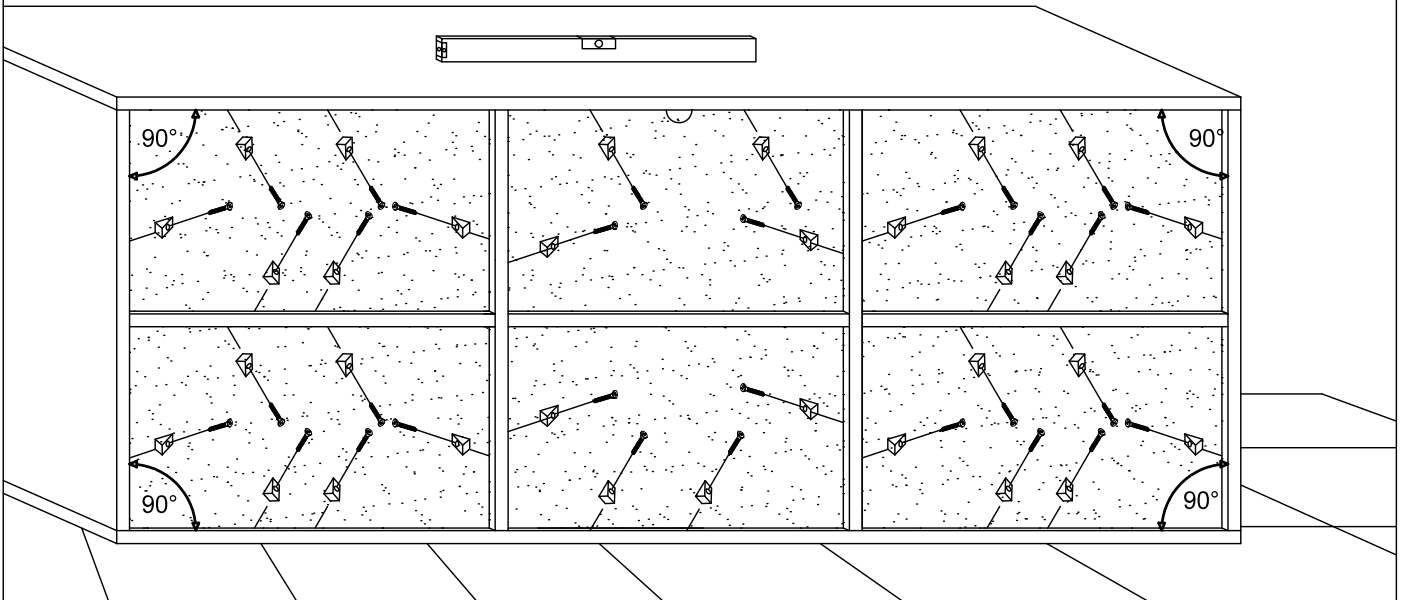


A

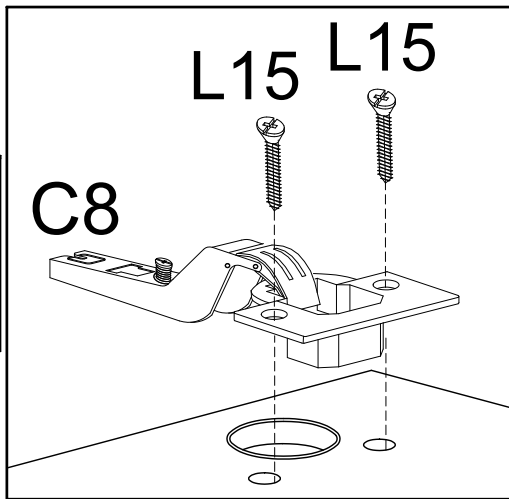
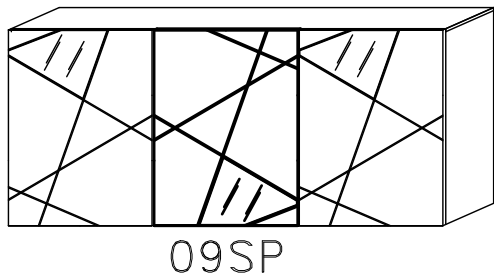


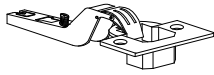
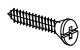

x36

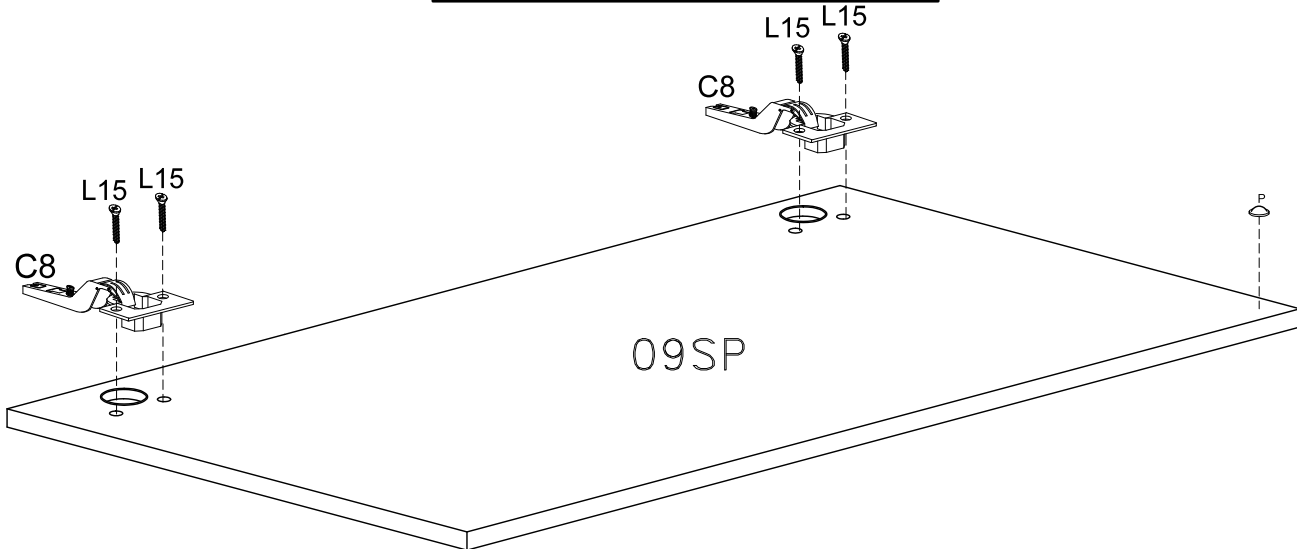
RETRO-BACK



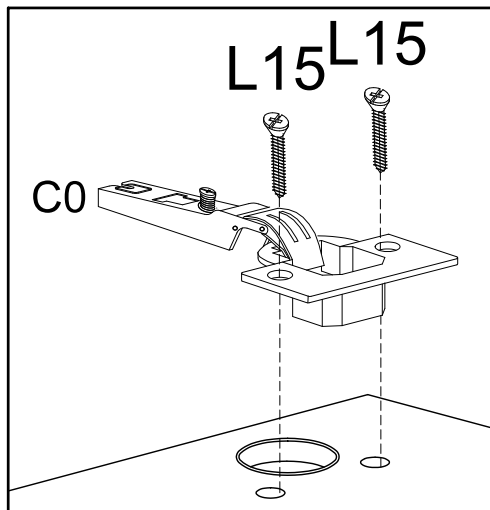
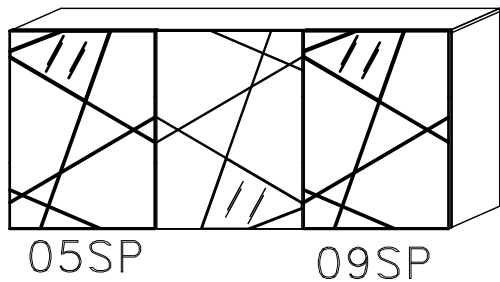
7

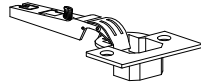
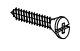



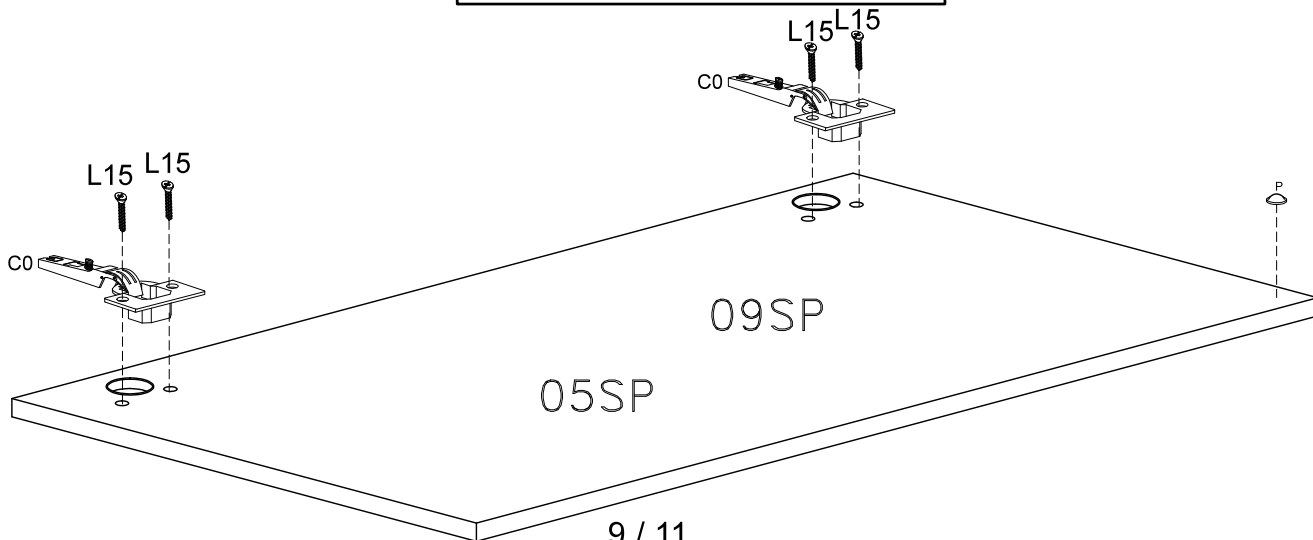
- C8  x2
- L15  4x15 mm. x4
- P  x1



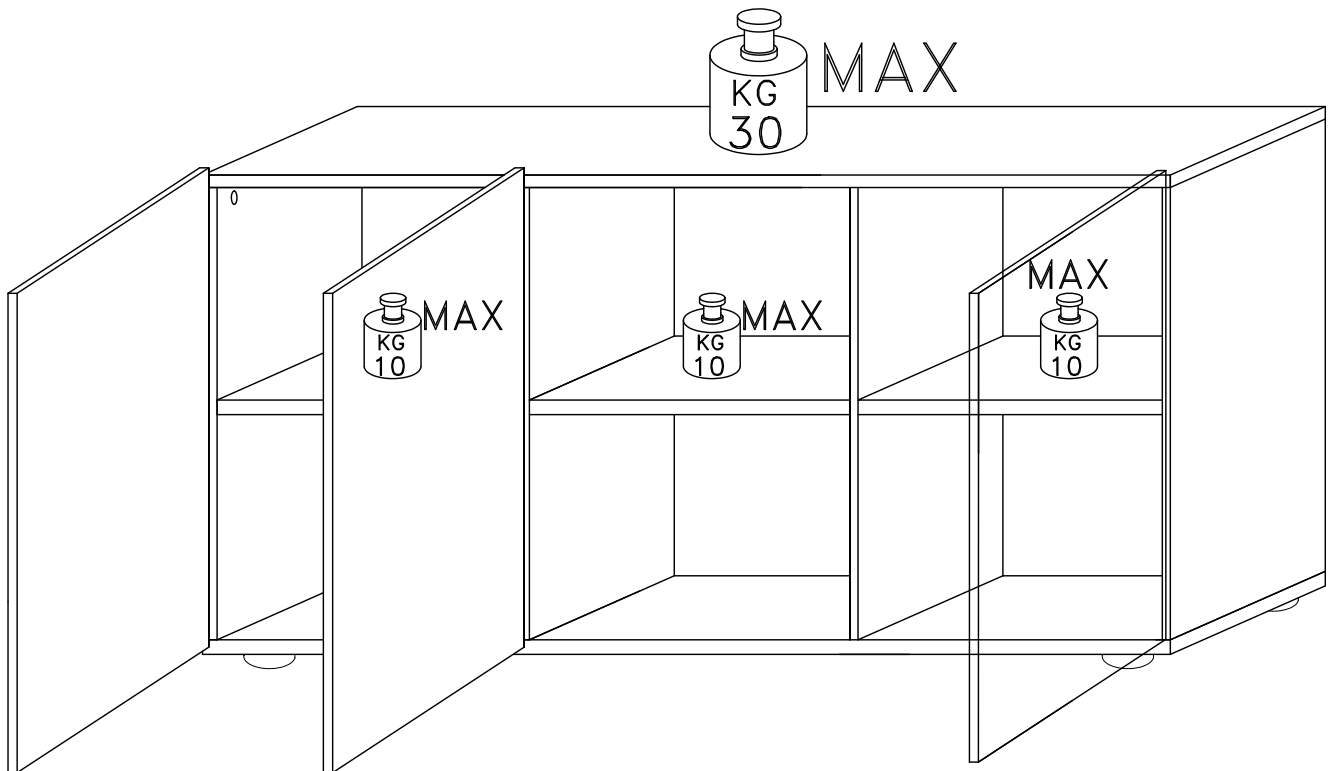
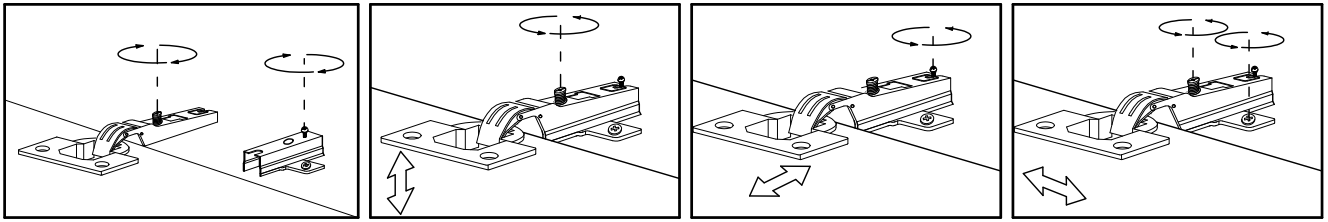
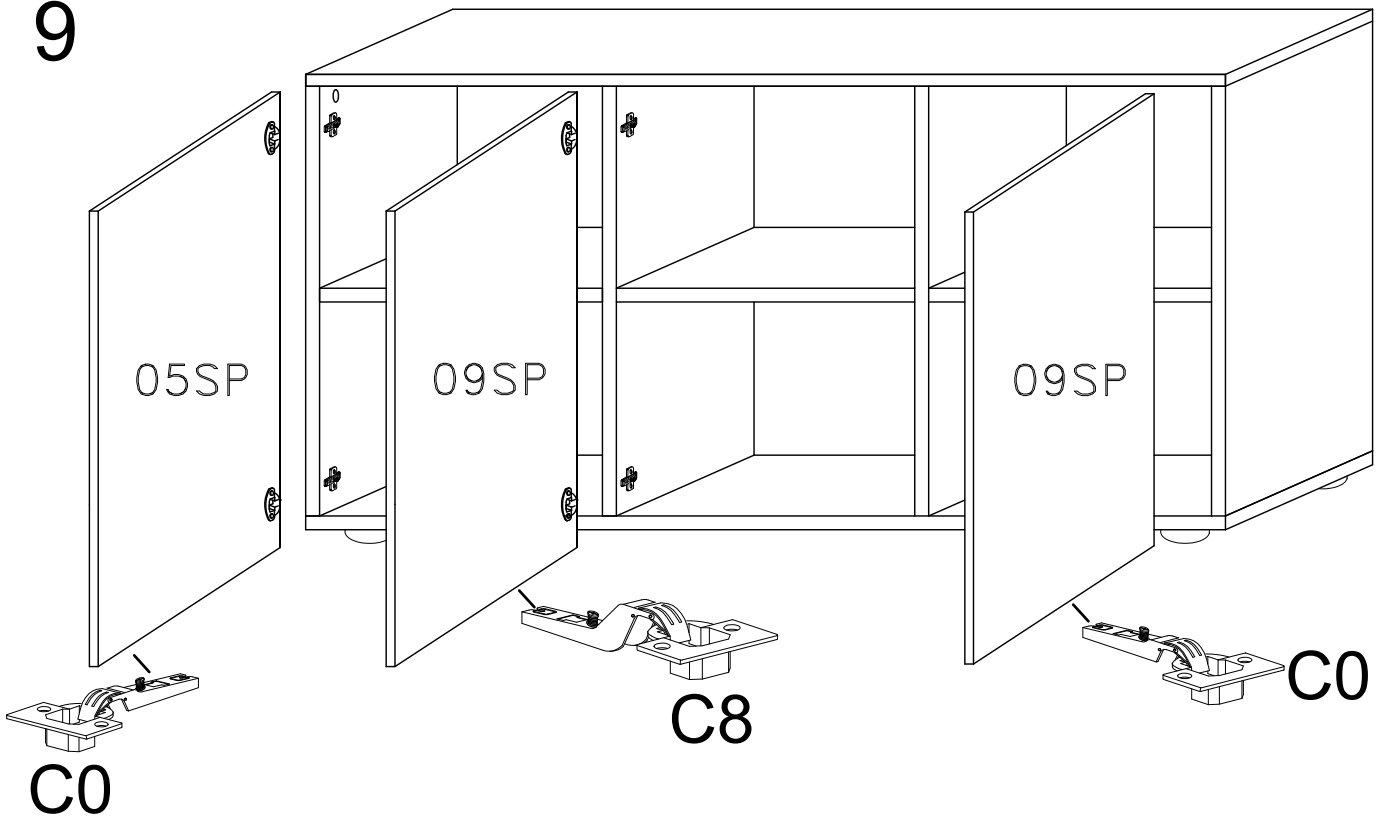
8



- C0  x4
- L15  4x15 mm. x8
- P  x2

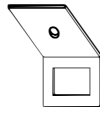


9



10

T



x1

L3



4x18 mm.

x1

